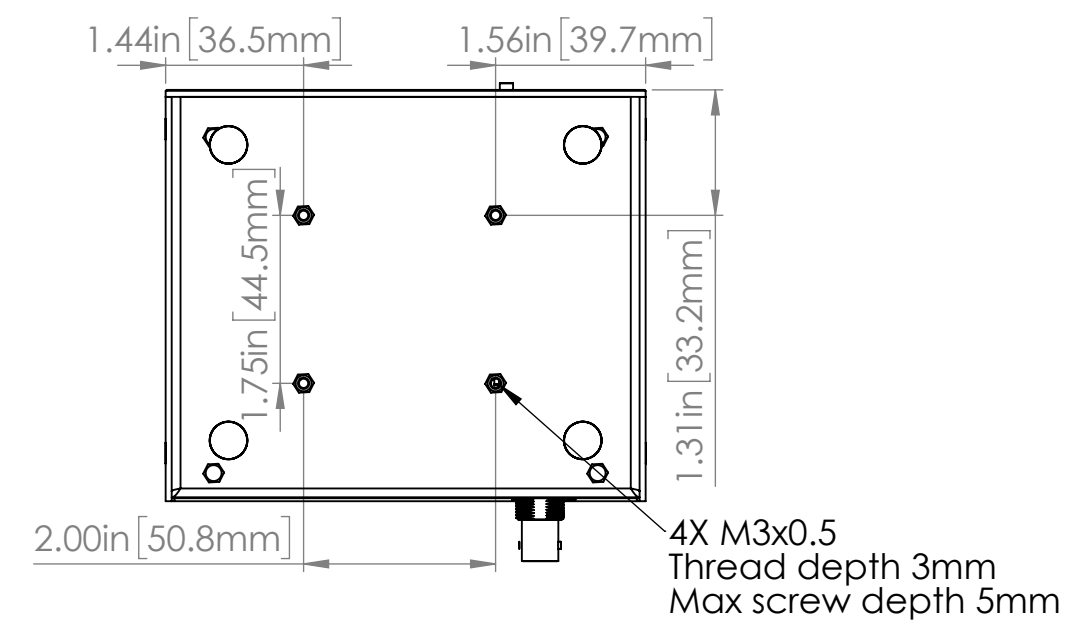
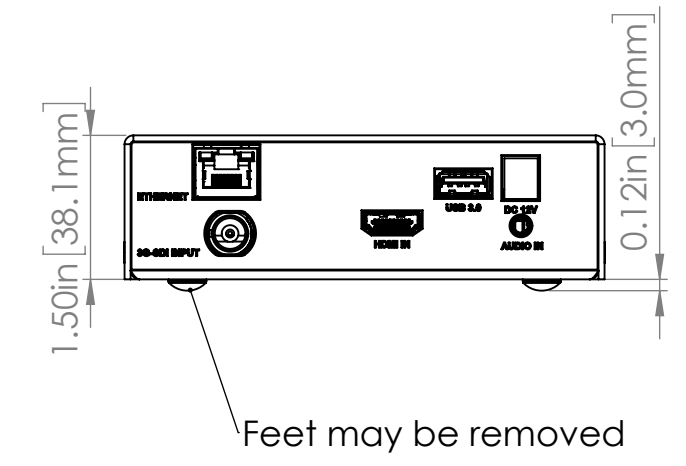
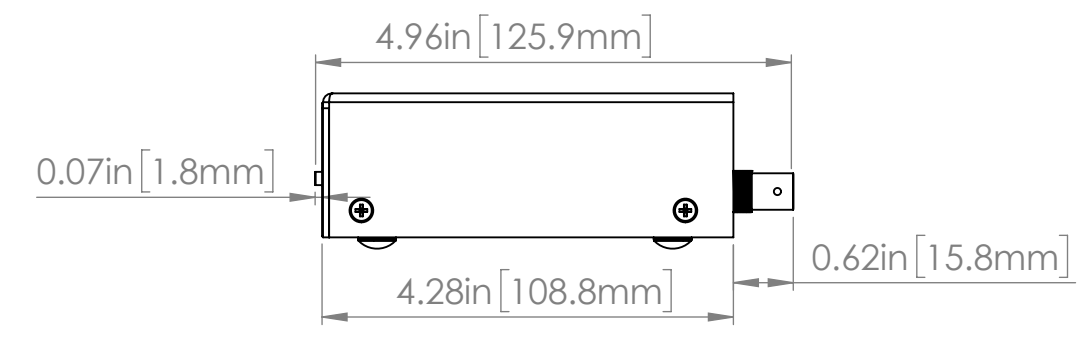
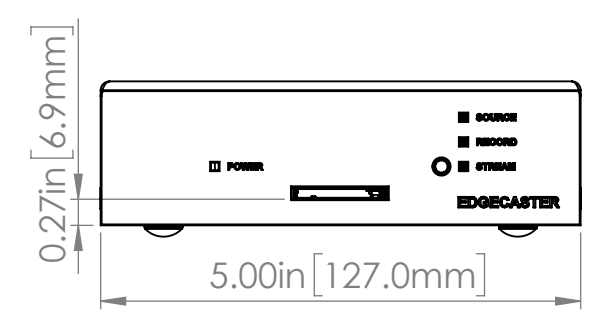
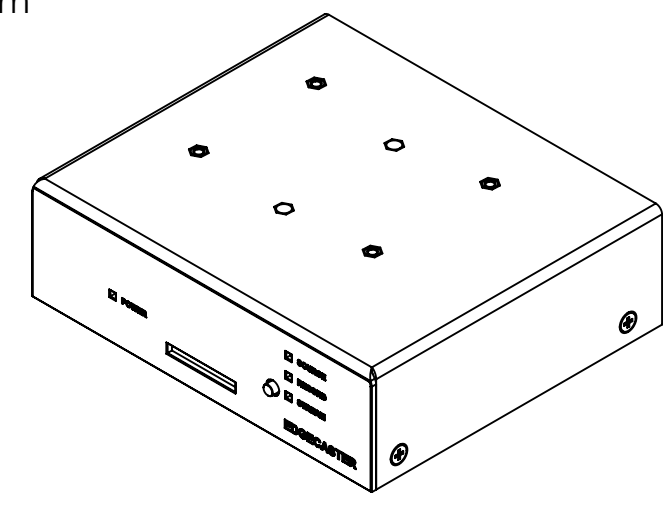
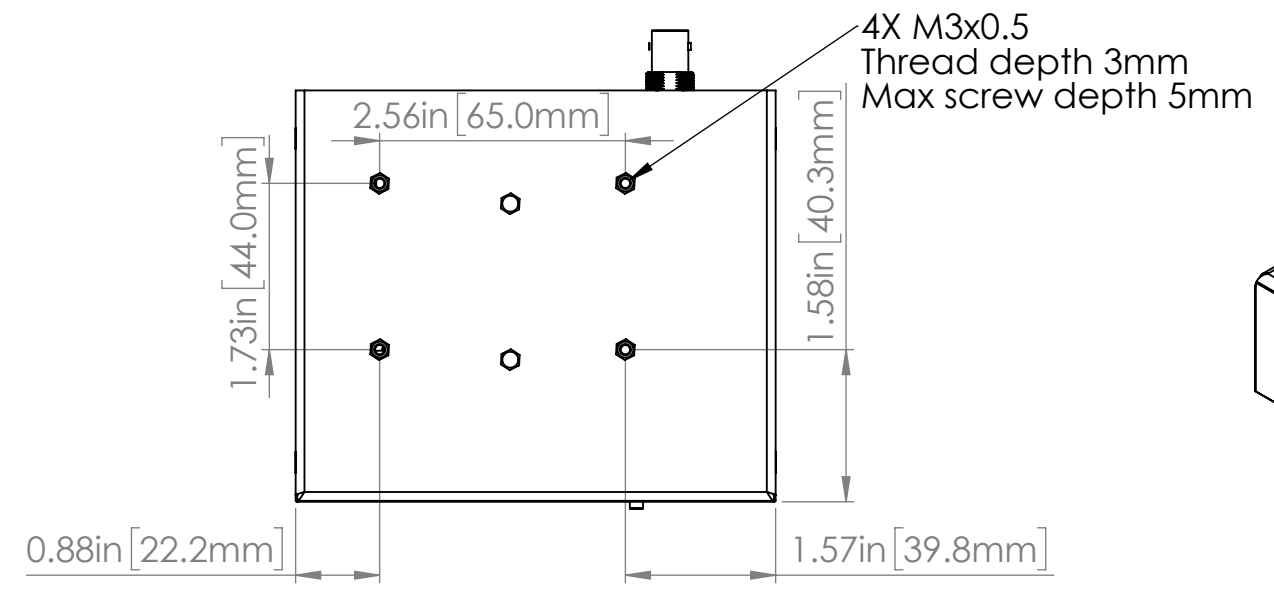



REV.	DESCRIPTION	DATE	DRAWN BY	APPROVED BY
000	INITIAL RELEASE	6/8/2022	AMM	AMM



COMMENTS: UNLESS OTHERWISE SPECIFIED: DIMENSIONS ARE IN INCHES THIRD ANGLE PROJECTION TOLERANCES: ANGULAR ±1° FRACTION ±1/32 TWO PLACE DECIMAL ±.015 THREE PLACE DECIMAL ±.010 PROPRIETARY AND CONFIDENTIAL THE INFORMATION CONTAINED IN THIS DRAWING IS THE SOLE PROPERTY OF Videon Central. ANY REPRODUCTION IN PART OR AS A WHOLE WITHOUT THE WRITTEN PERMISSION OF Videon Central IS PROHIBITED.	MATERIAL	 Videon Central Inc 2171 Sandy Dr. State College PA 16803 (814)235-1111 phone (814)235-1118 fax
	FINISH	
SIZE B	DWG. P/N 10005358-000	ORDER P/N -000
SCALE: 1:2	SHEET 1 OF 1	